

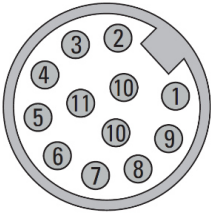
CABLE EXTENSION TRANSDUCERS
CET5000 – 3 switches



Installation manual

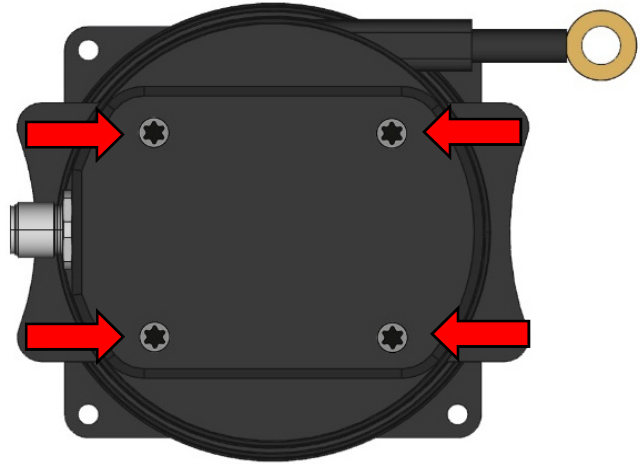


TERMINAL CONNECTION



M12 connector, 12-pin

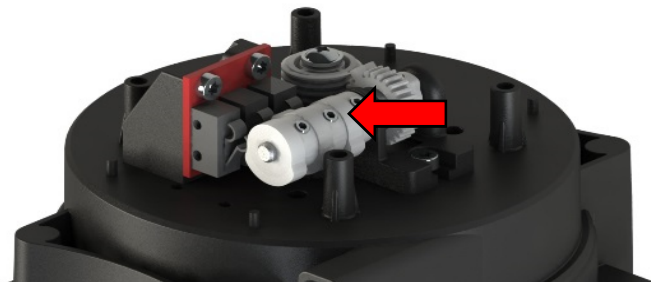
Pin	Signal
1	NC1
2	NO1
3	C1
4	NC2
5	NO2
6	C2
7	NC3
8	NO3
9	C3
10	n.c
11	n.c.
12	n.c.



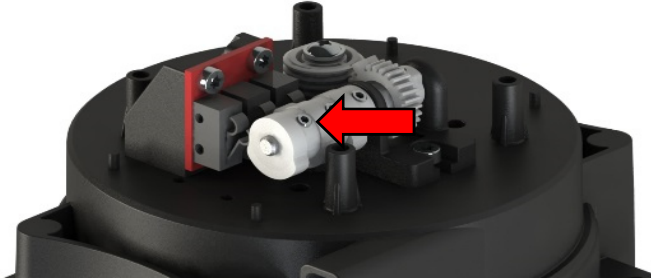
- 1) Open the 4 screws of the cover with a Screwdriver Torx "T10". Remove the cover and pay attention with the cables and the connector.
- 2) Loosen the 3 cam screws with an "M3" Allen wrench. Pull out the wire to the desired position 1 and fix the 1st cam (1st cam corresponds to switch 1).



- 3) Pull out the wire to the desired position 2 and fix the 2nd CAM (2nd CAM correspond to Switch 2).



- 4) Pull out the wire to the desired position 3 and fix the 3rd CAM (3rd CAM correspond to Switch 3).



- 5) Finally close the cover and fix the 4 screws with a Screwdriver Torx "T10" (force: 3Nm).

